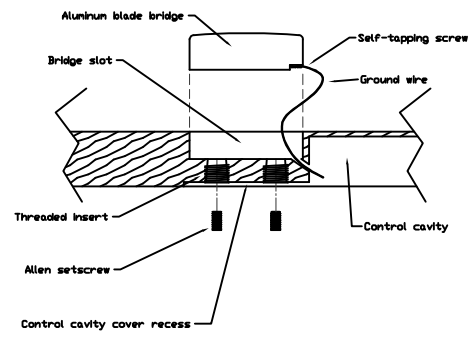
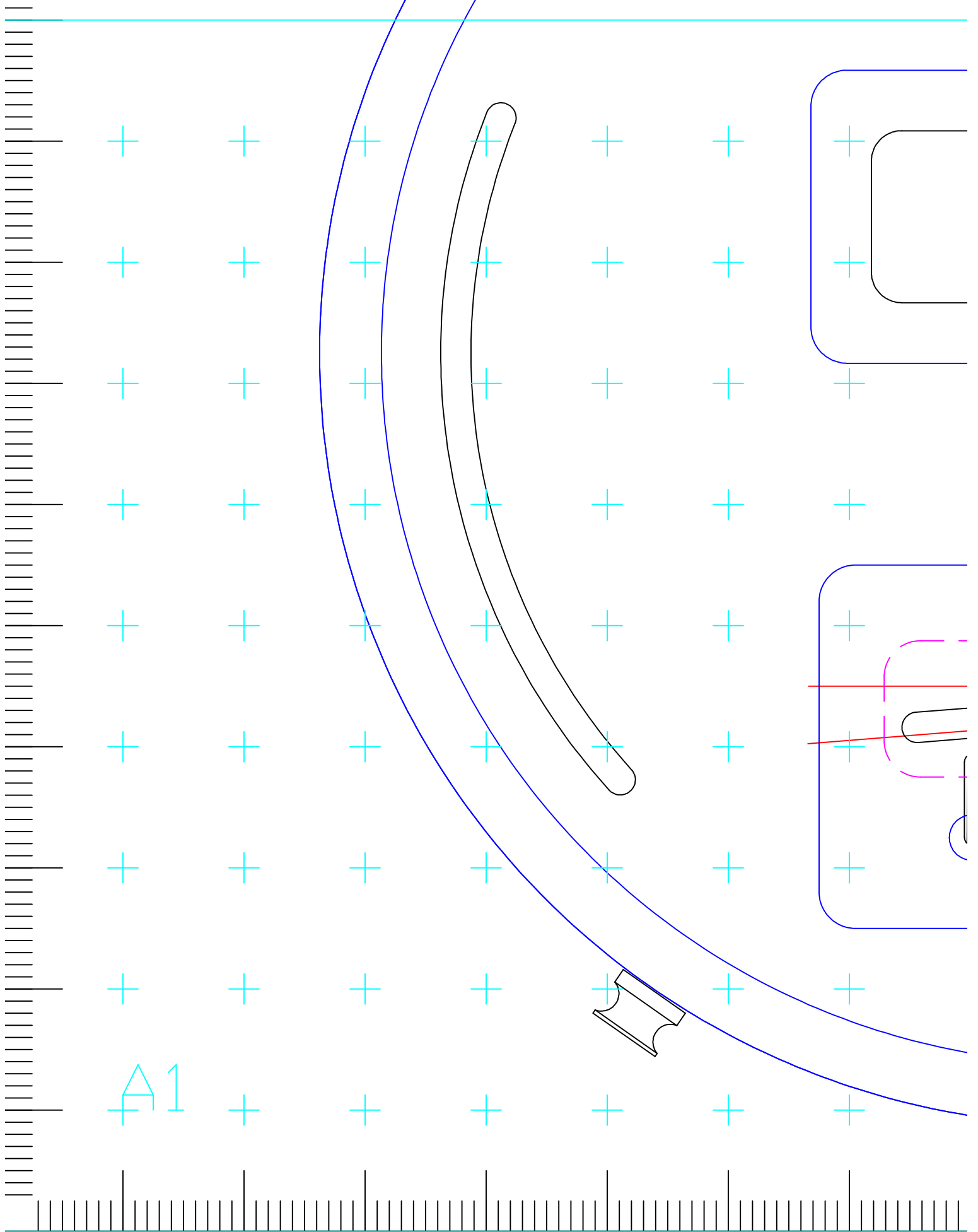


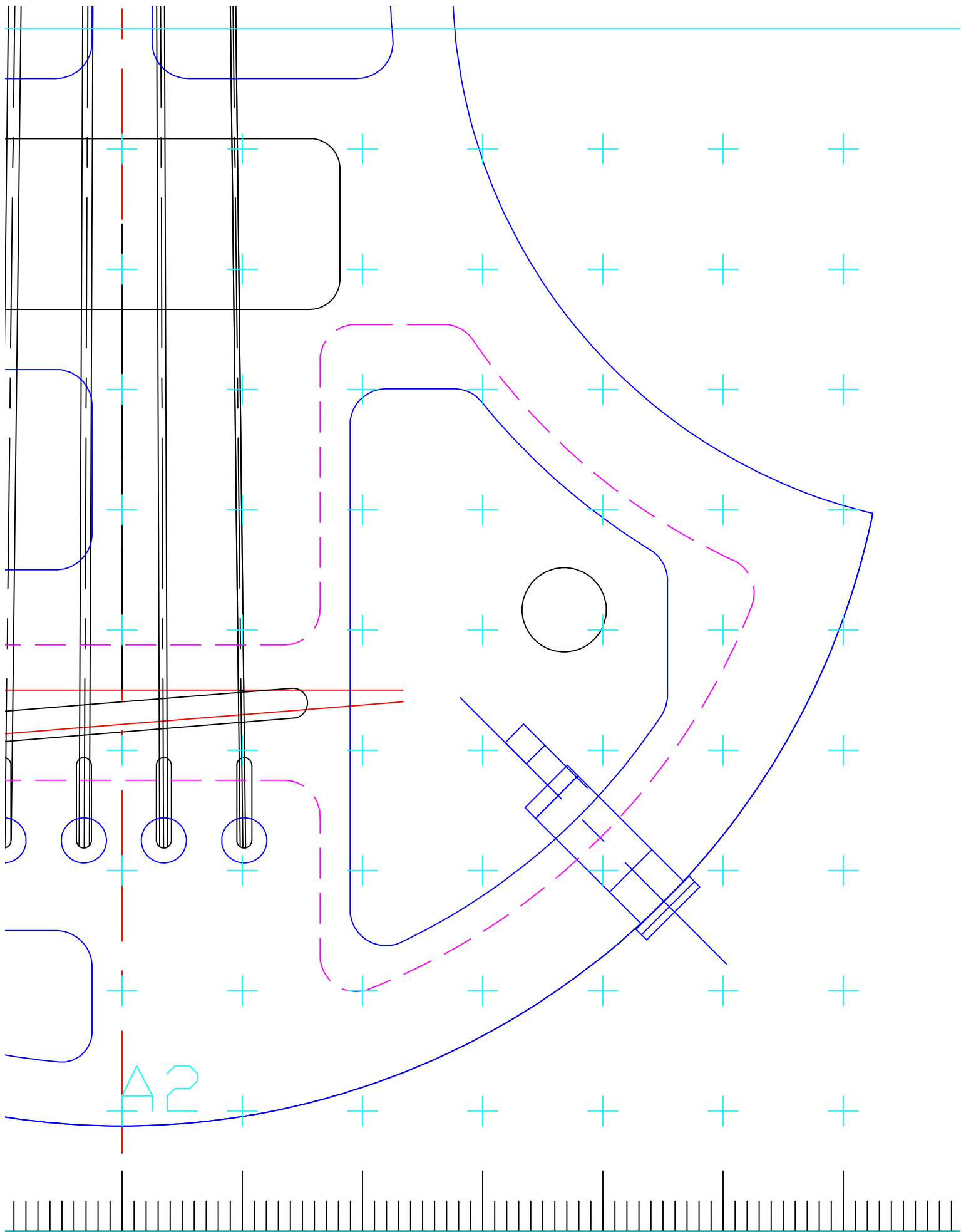
<i>litalo</i> <b>Mottola</b> handcrafted stringed instruments <span style="float: right;">m@litalomottola.com</span>		
<b>TITLE:</b> Mezzaluna Bantweight Bass		
<b>Drawn by:</b> RMM		<b>Date:</b> 1/6/02
<b>Code Ident No:</b>	<b>Size:</b> 36 x 48	<b>Drawing No:</b>
<b>Scale:</b> 1:1	<b>Sheet:</b> 1 of 1	

**NOTES:**  
 1. In top view the headstock is shown as if rotated parallel to the drawing plane.

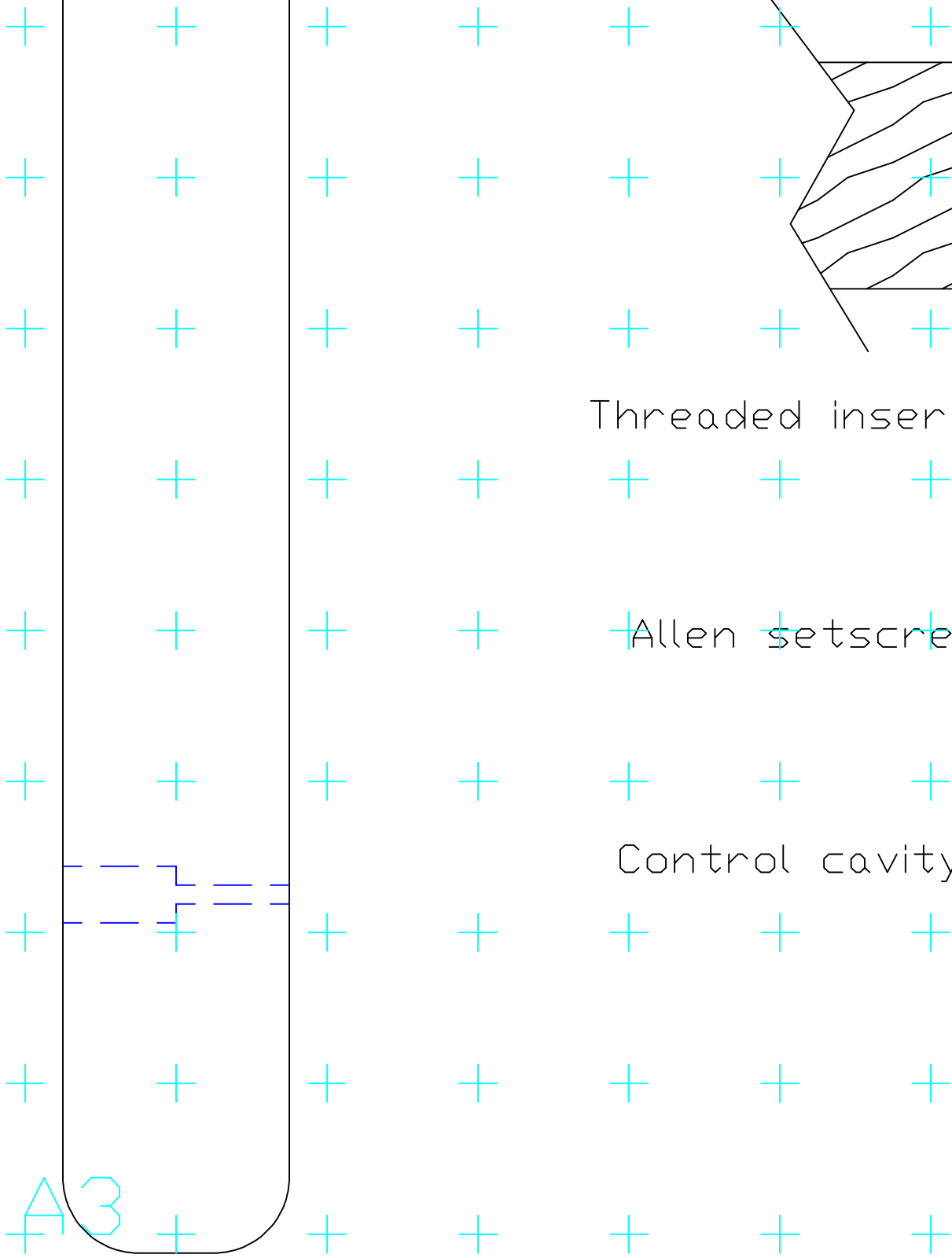




A1



A2

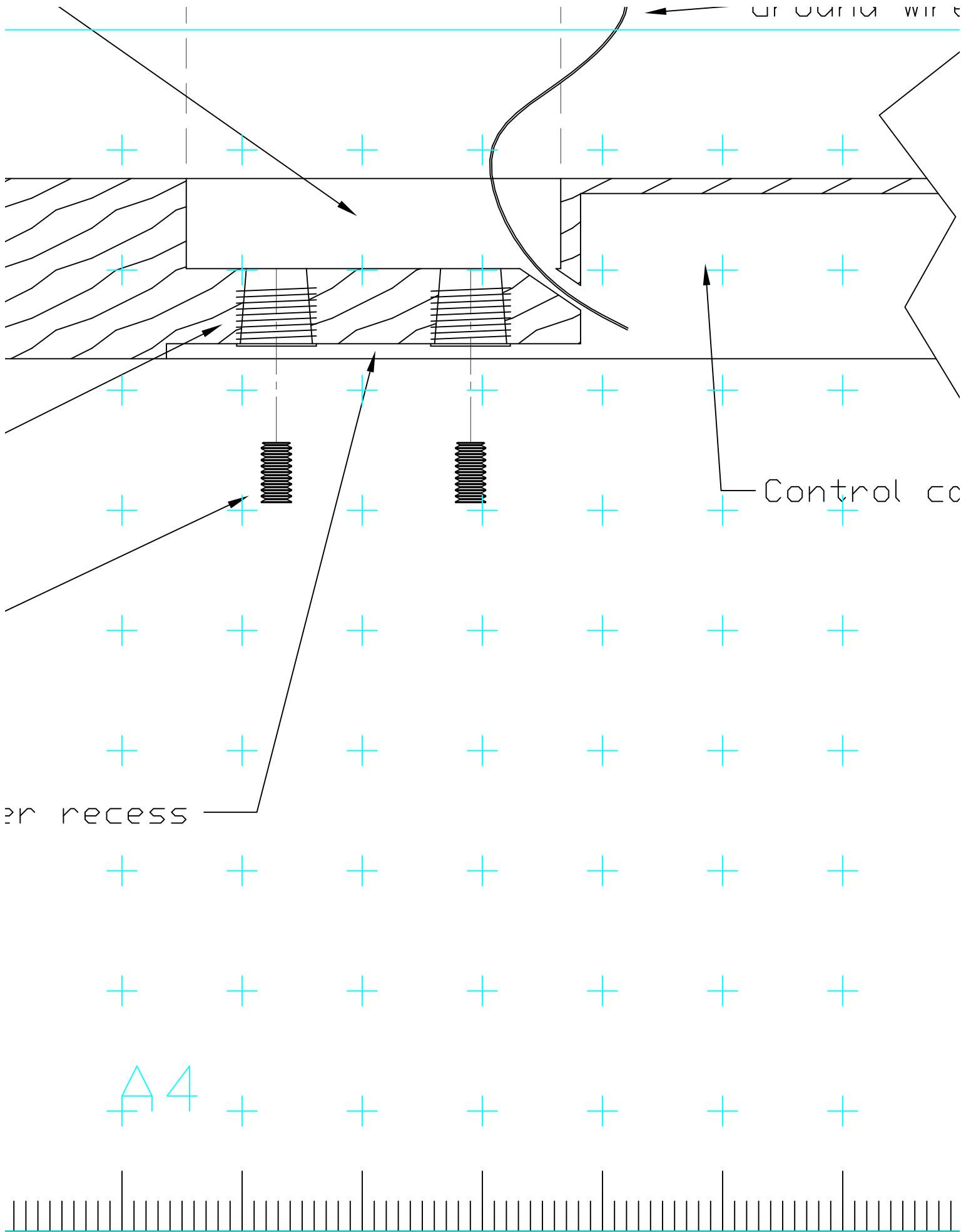


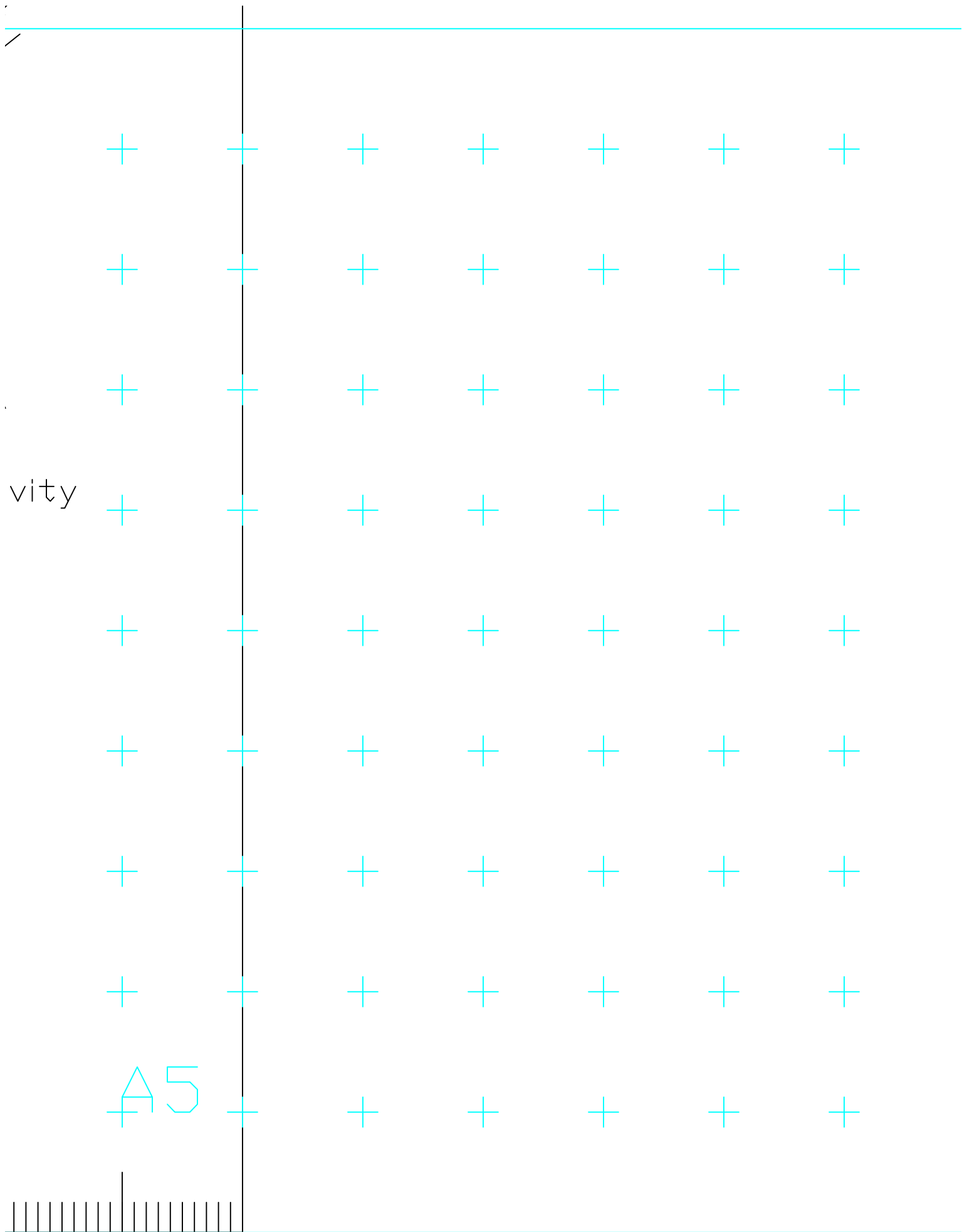
A3

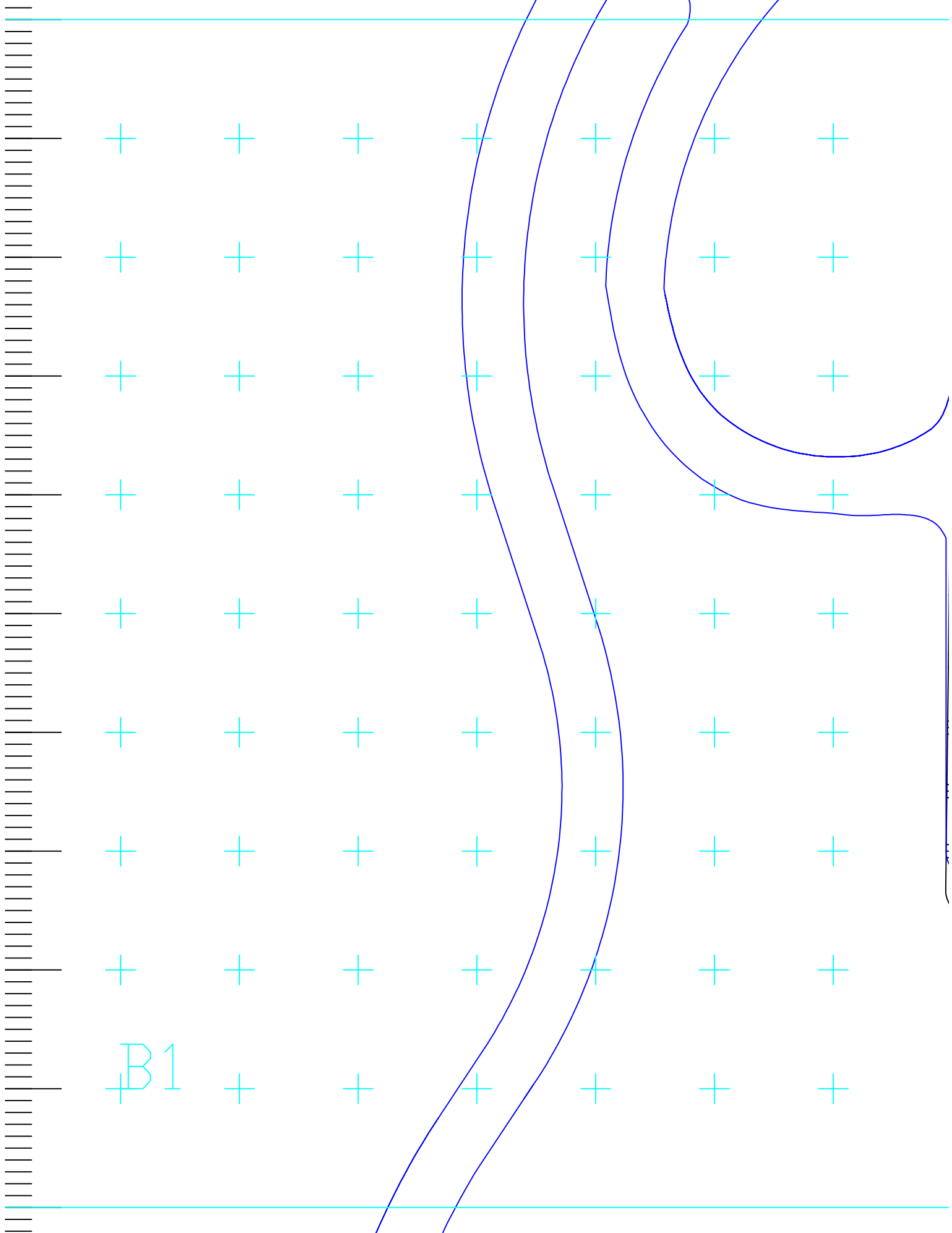
Threaded insert

Allen setscrew

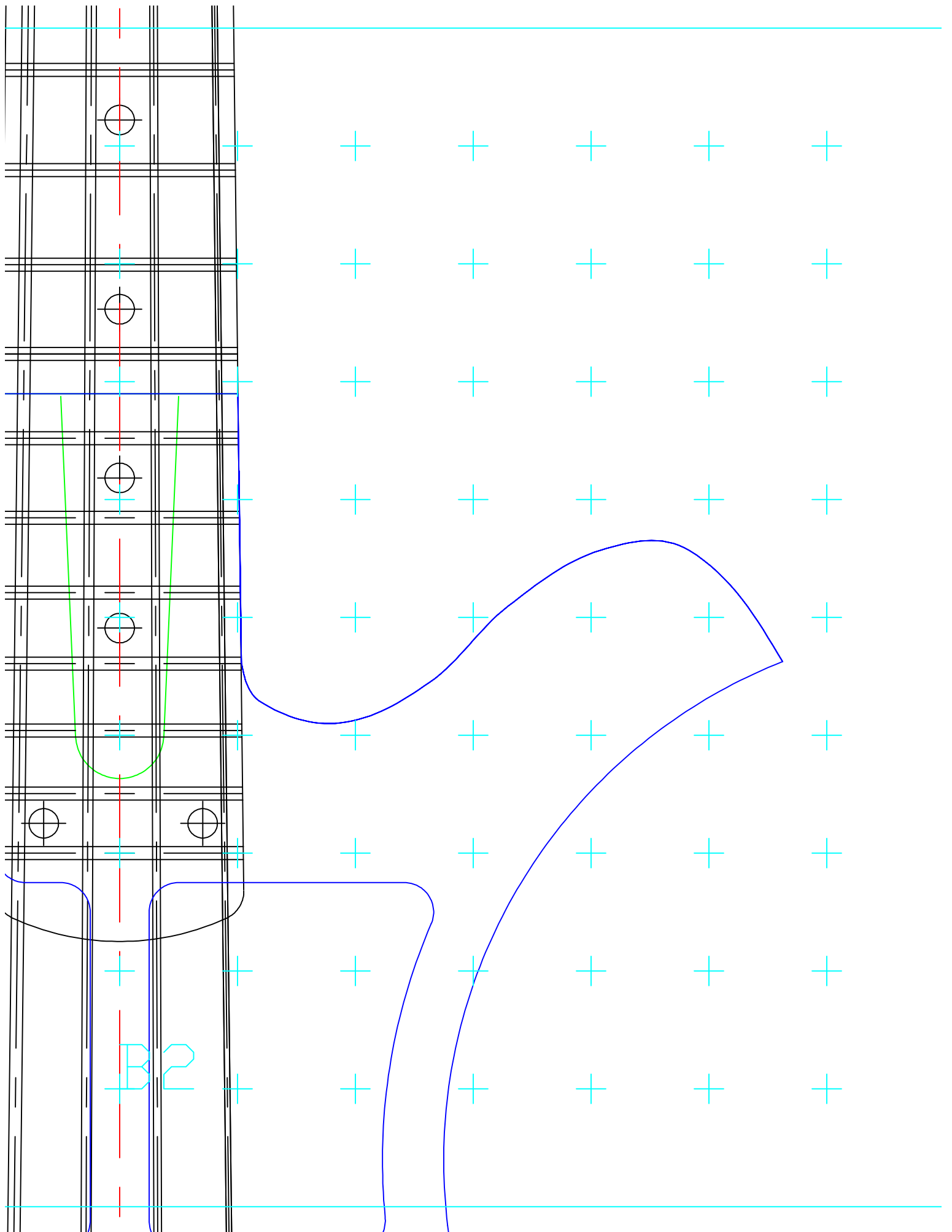
Control cavity cover



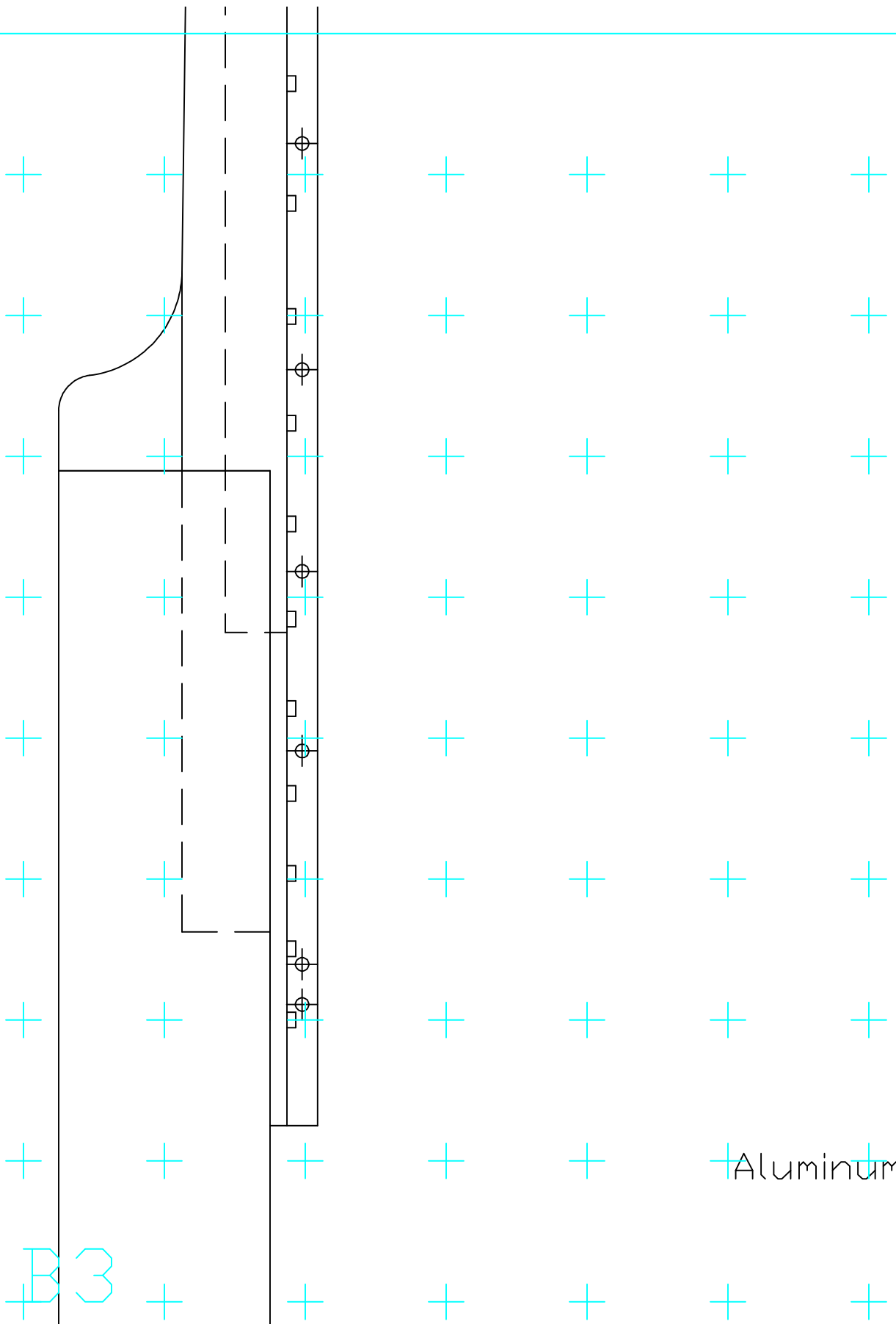




B1



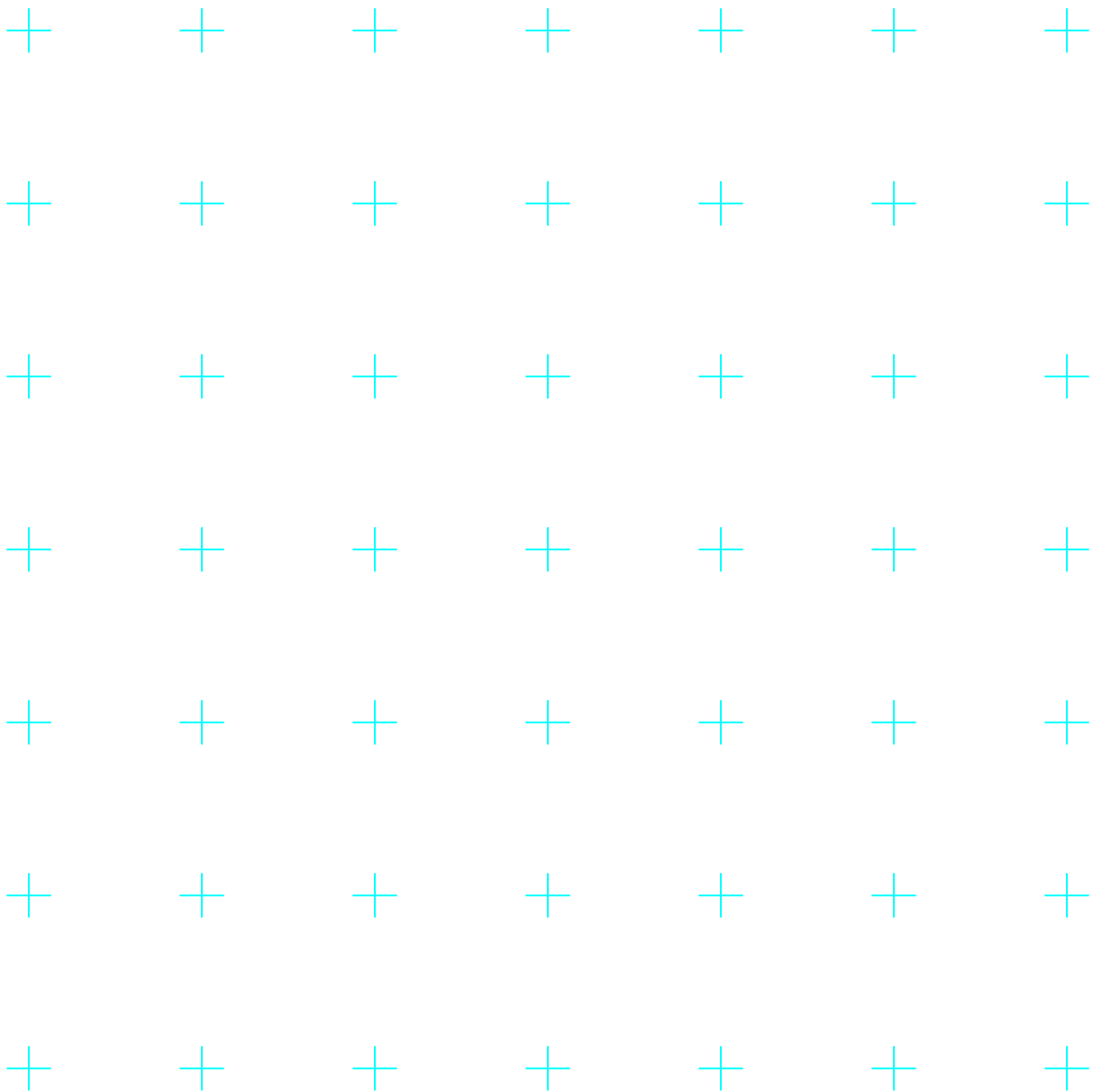




B3

+ Aluminum black

+ Bridge slot

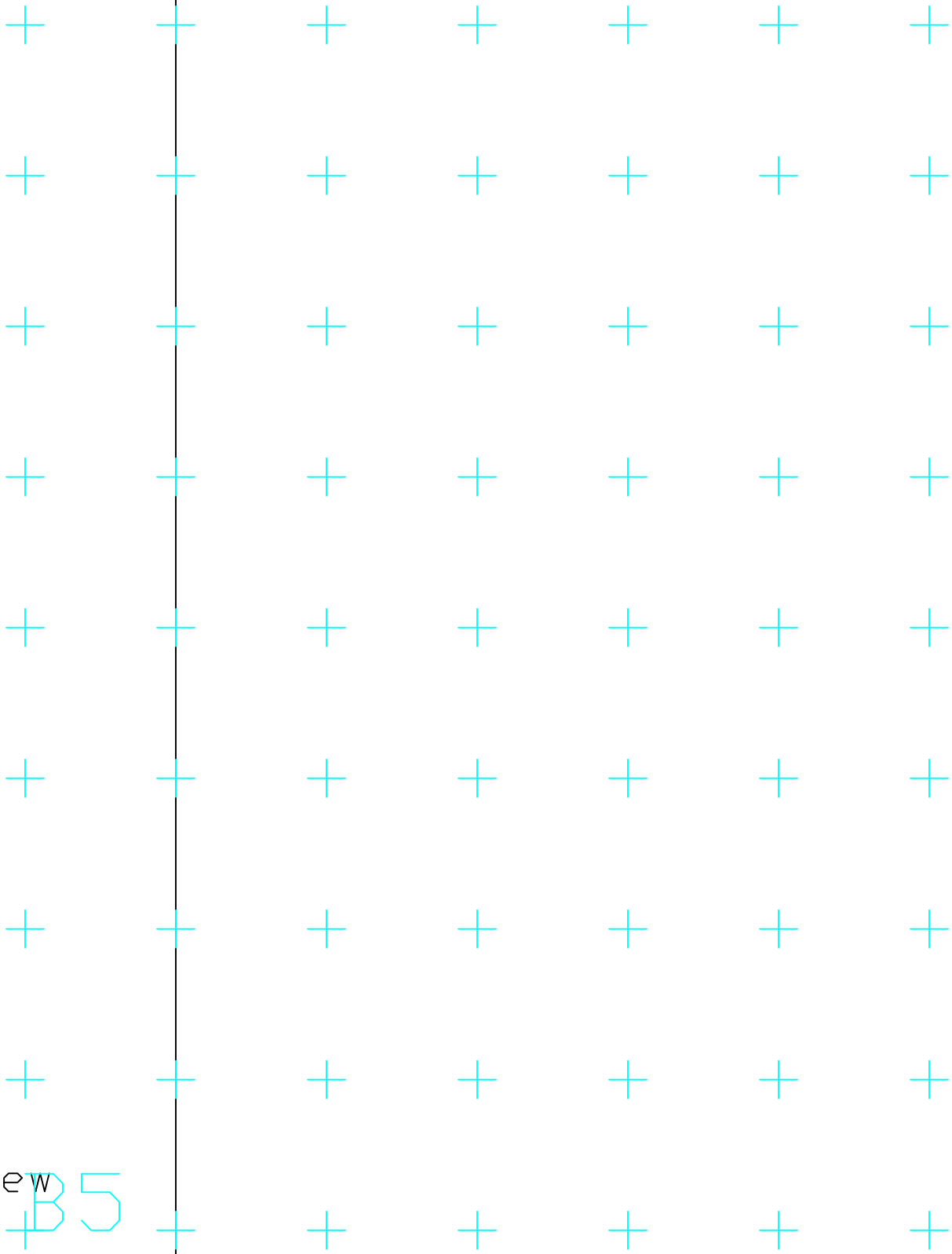


le bridge

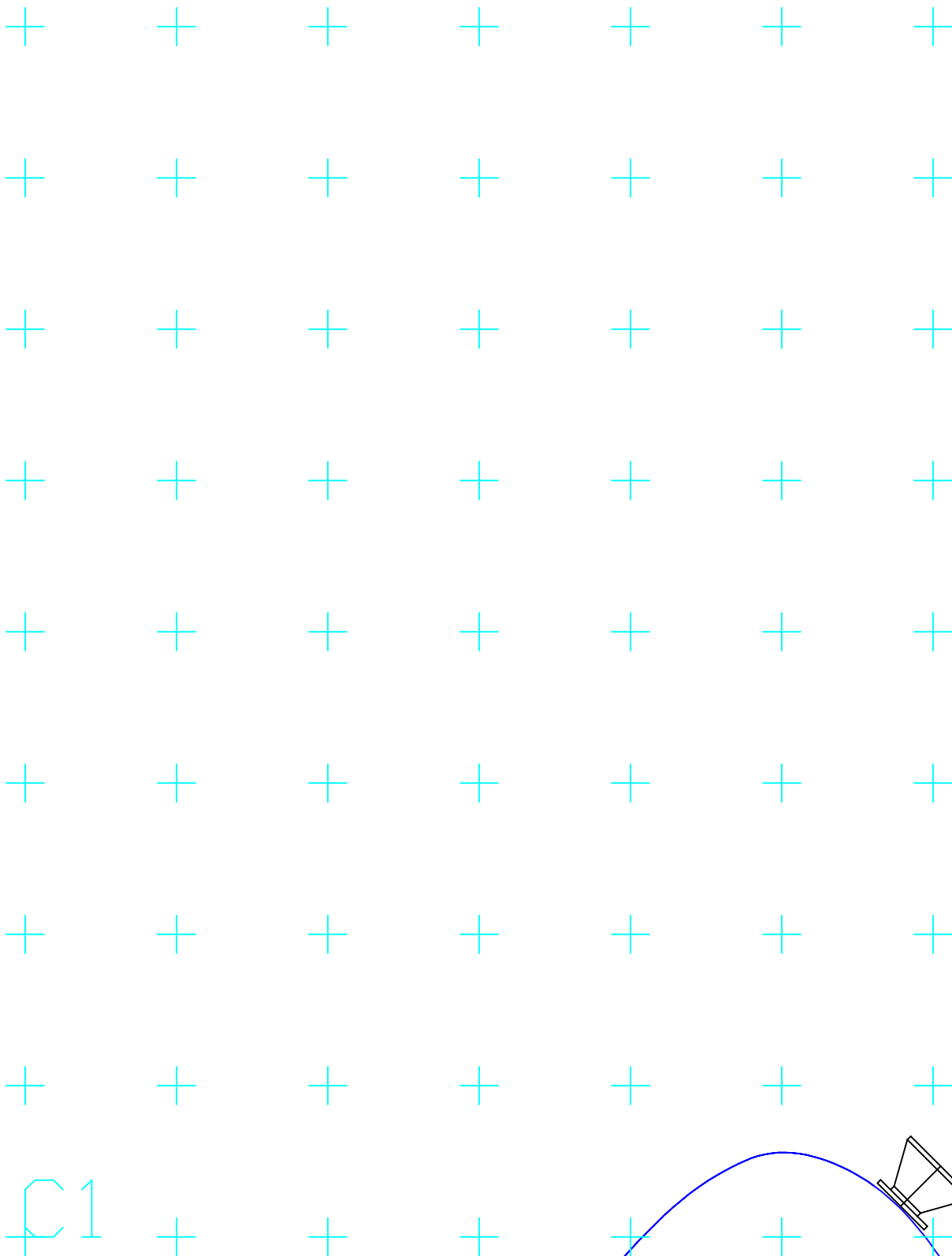
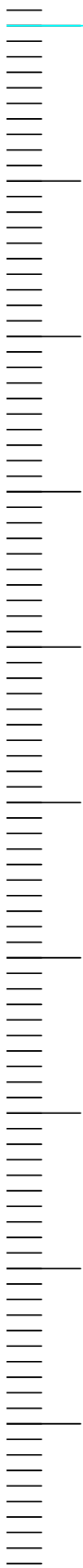
B4

Self-tapping

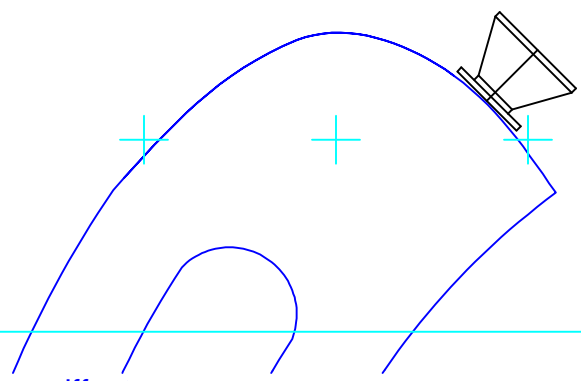
Ground wire

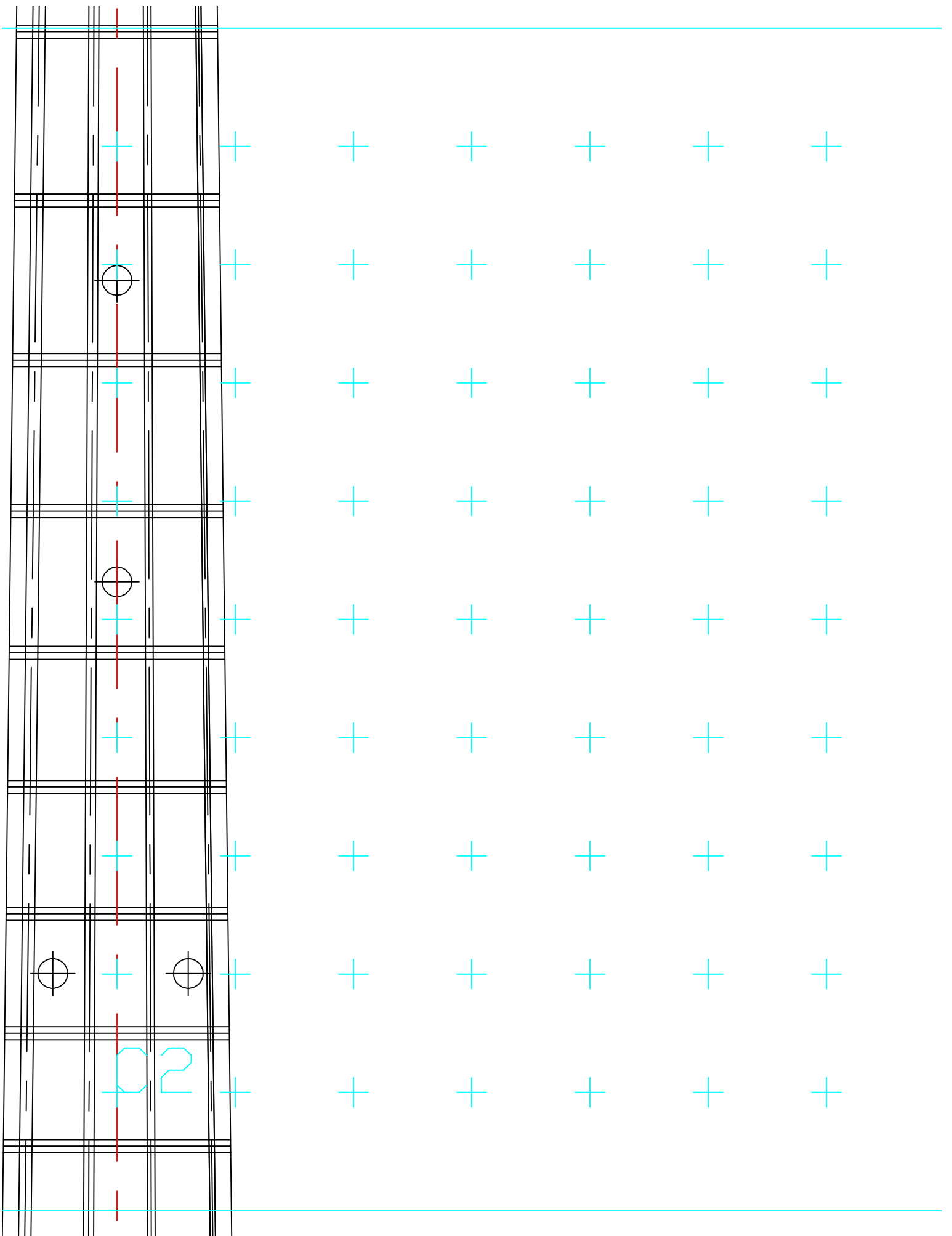


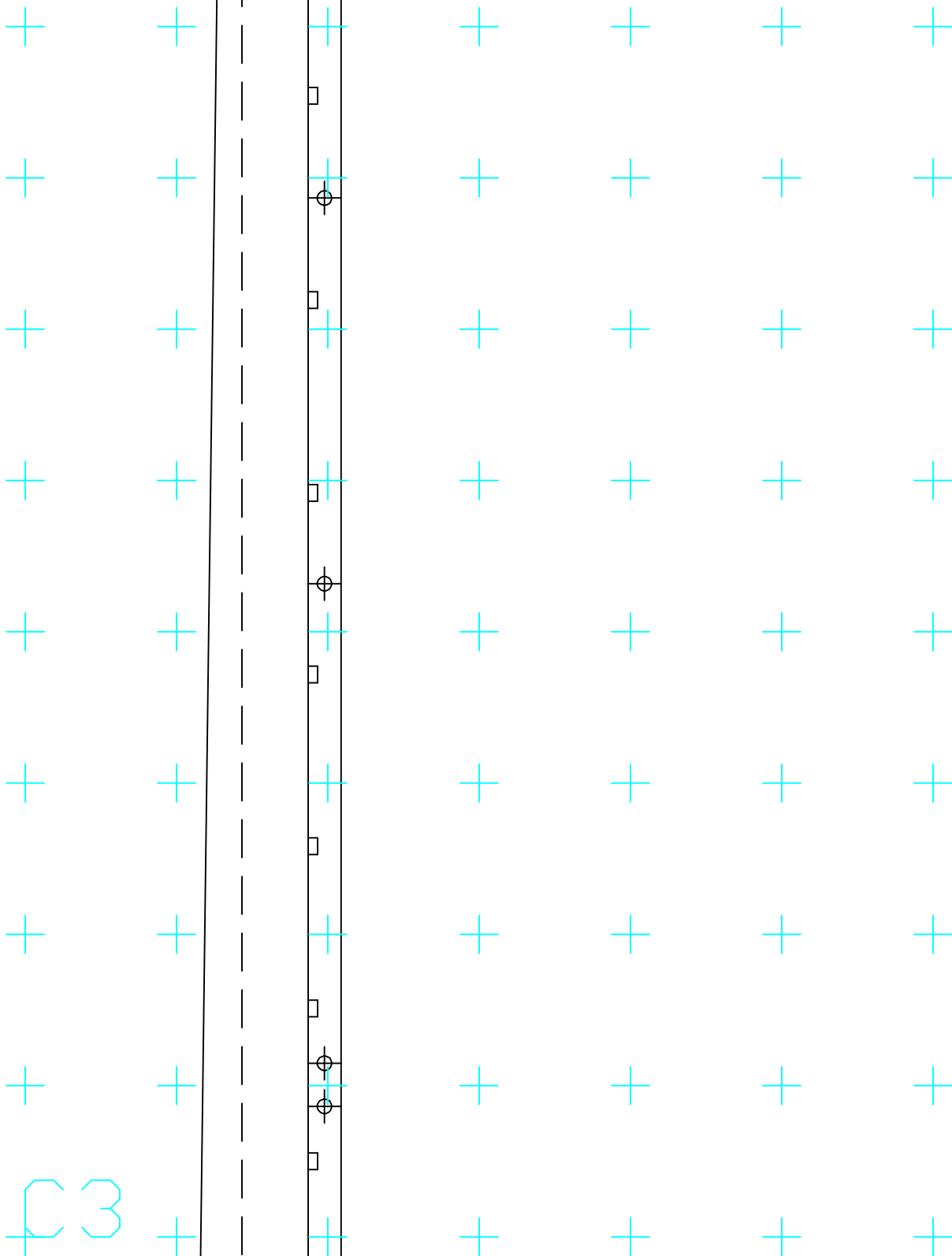
screw B5



C1







---

+ + + + + + +

+ + + + + + +

+ + + + + + +

+ + + + + + +

+ + + + + + +

+ + + + + + +

+ + + + + + +

+ + + + + + +

C4 + + + + + + +

---

+ + + + + + +

+ + + + + + +

+ + + + + + +

+ + + + + + +

+ + + + + + +

+ + + + + + +

+ + + + + + +

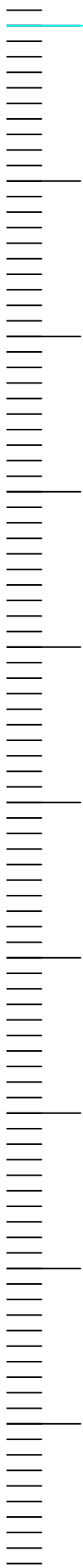
+ + + + + + +

C5

+ + + + + + +

---





+ + + + + + +

+ + + + + + +

+ + + + + + +

+ + + + + + +

+ + + + + + +

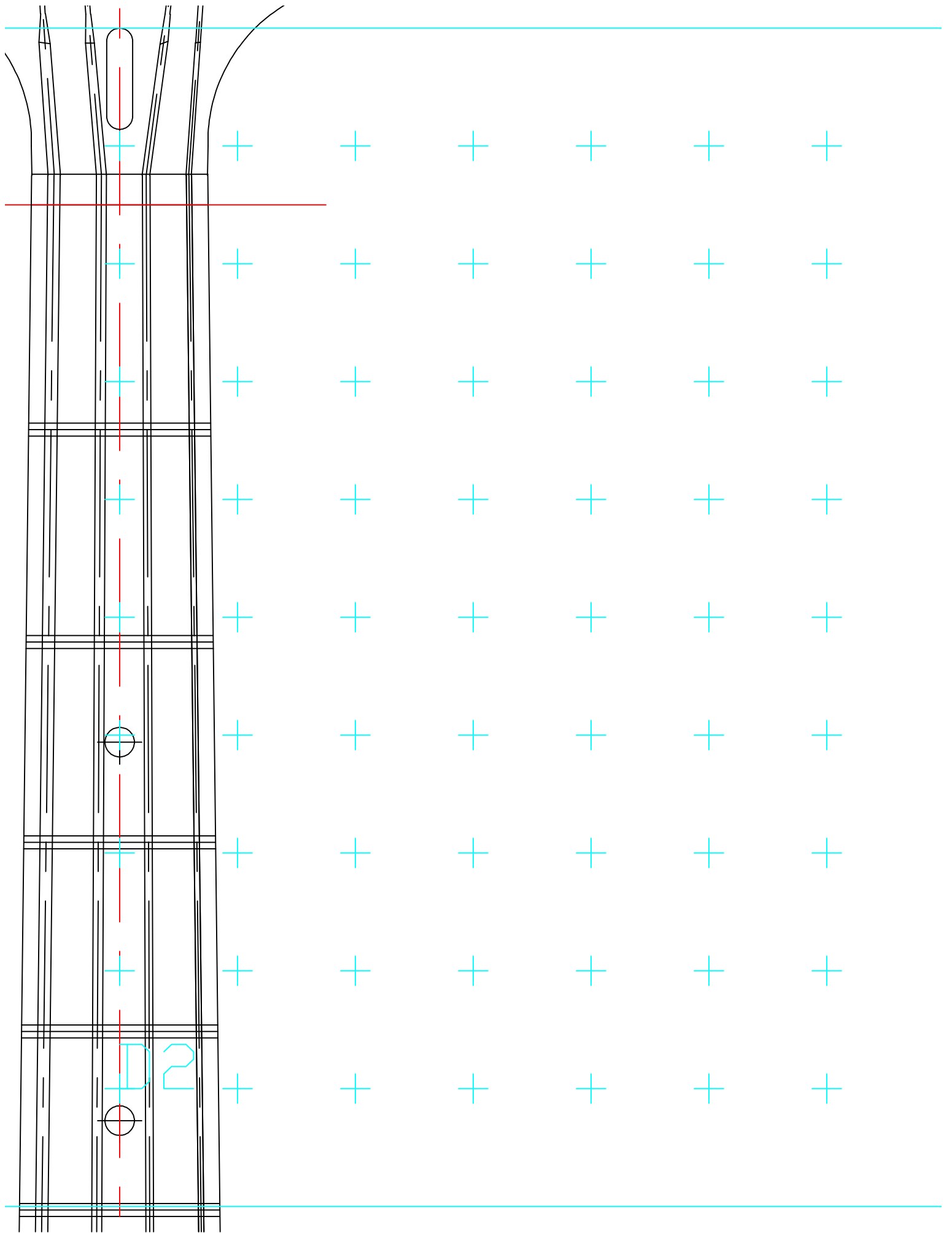
+ + + + + + +

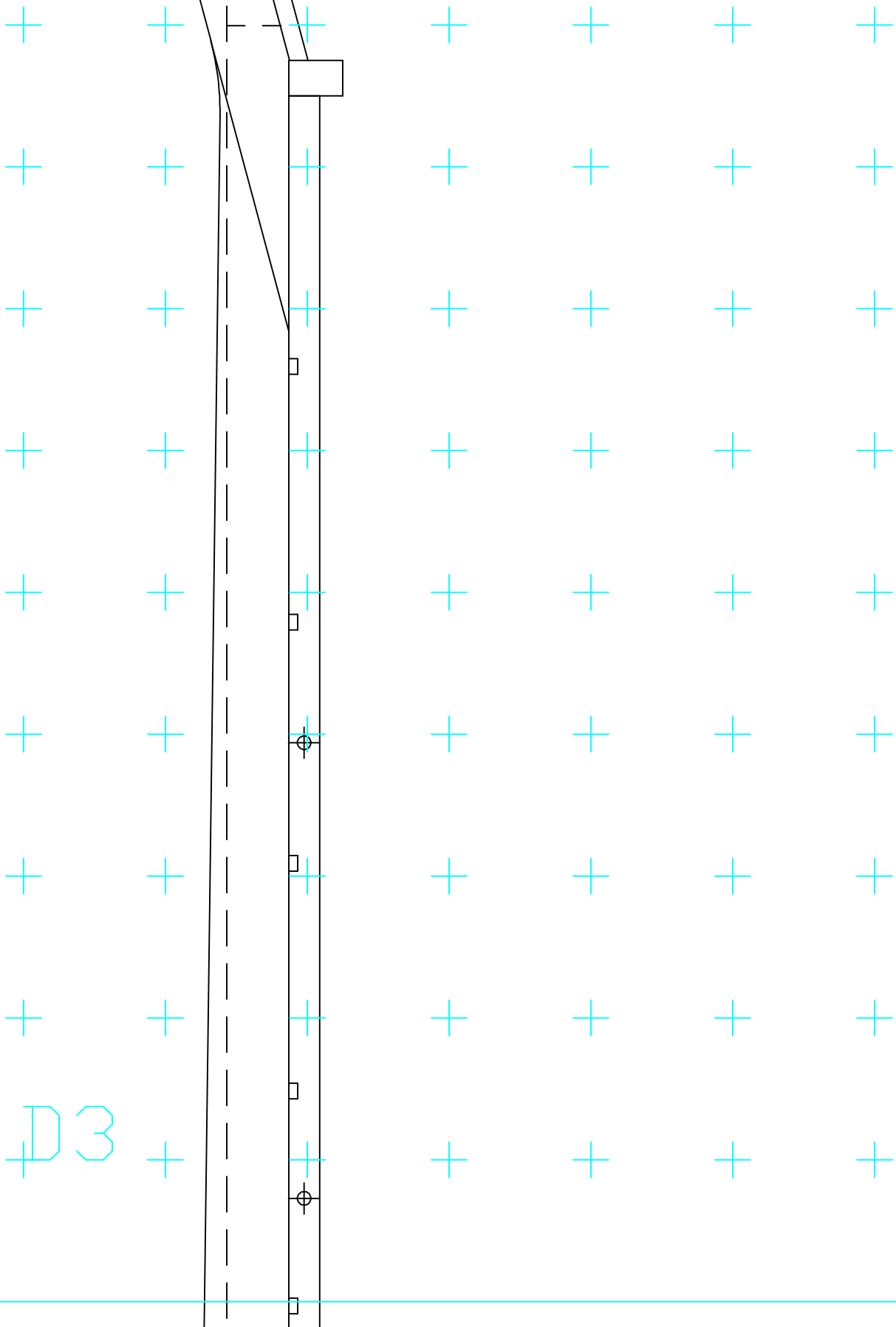
+ + + + + + +

+ + + + + + +

+ D1 + + + + + + +







*Scale:* 1:1

*Sheet* 1

NOTES:

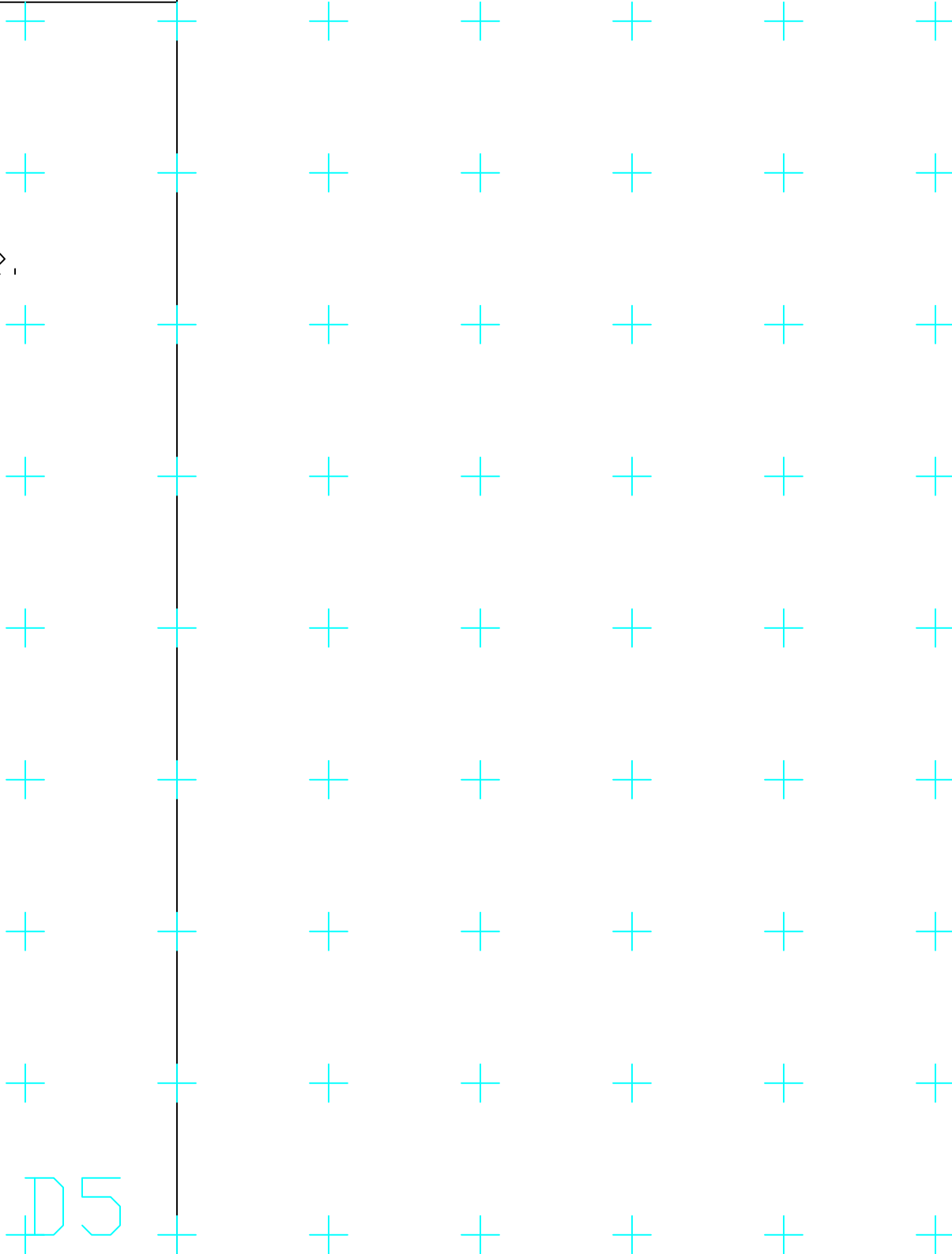
1. In top view the headstock is shown as if rotated parallel to the drawing

D4

*of*

1

plane.



D5

+ + + + + + +

+ + + + + + +

+ + + + + + +

+ + + + + + +

+ + + + + + +

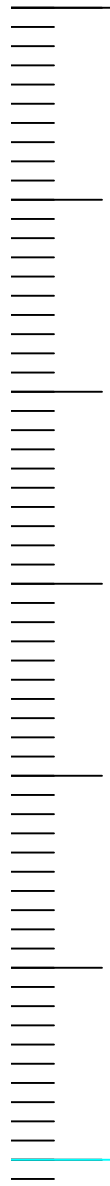
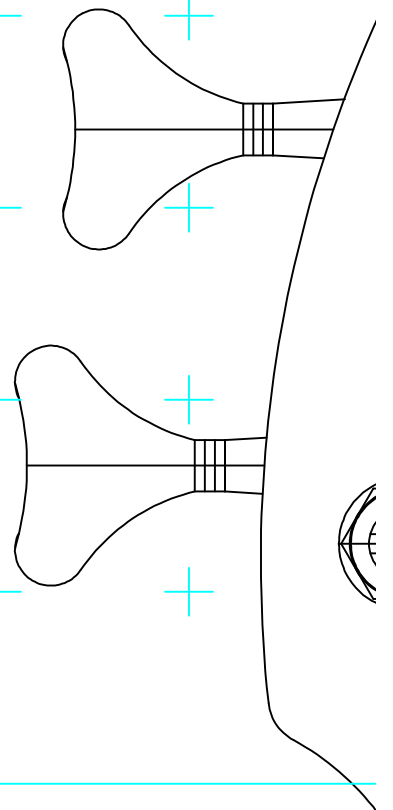
+ + + + + + +

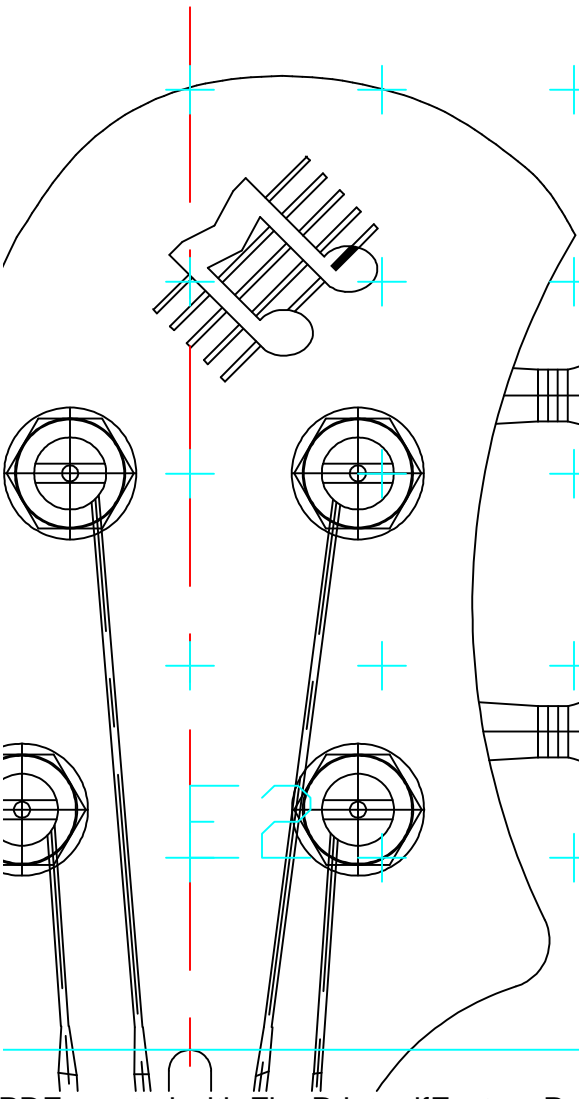
+ + + + + + +

+ + + + + + +

F1

+ + + + + + +





---

+ + + + + + +

+ + + + + + +

+ + + + + + +

---

+ + + + + + +

+ + + + + + +

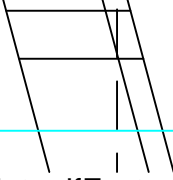
+ + + + + + +

+ + + + + + +

+ + + + + + +

F3

+ + + + + + +





liutaio  
**Mottola**

handcrafted stringed instruments

rm@Liutaio

**Title:**

Mezzaluna Bantamweight Bass

**Drawn by:**

RMM

**Date:**

1/6/02

**Code Ident No:**

4

**Size:**

36

x

48

**Drawing No:**

---

+ + + + + + +

+ + + + + + +

+ + + + + + +

+ + + + + + +

+ + + + + + +

Mottola.com

+ + + + + + +

+ + + + + + +

+ + + + + + +

F5

+ + + + + + +

---