

Title:

Libellula Electric Upright Bass 41" (beta)

Drawn by: RMM Date: 6/15/05

Size: Layers This Sheet:

24	Battery Box	Neck
x	Hardware	Body
60	Reference Lines	Notes
	Electronic Parts	Bridge
	Dimensions	Cavity
	Cover	Strings
	Border	Titleblock
		Wings

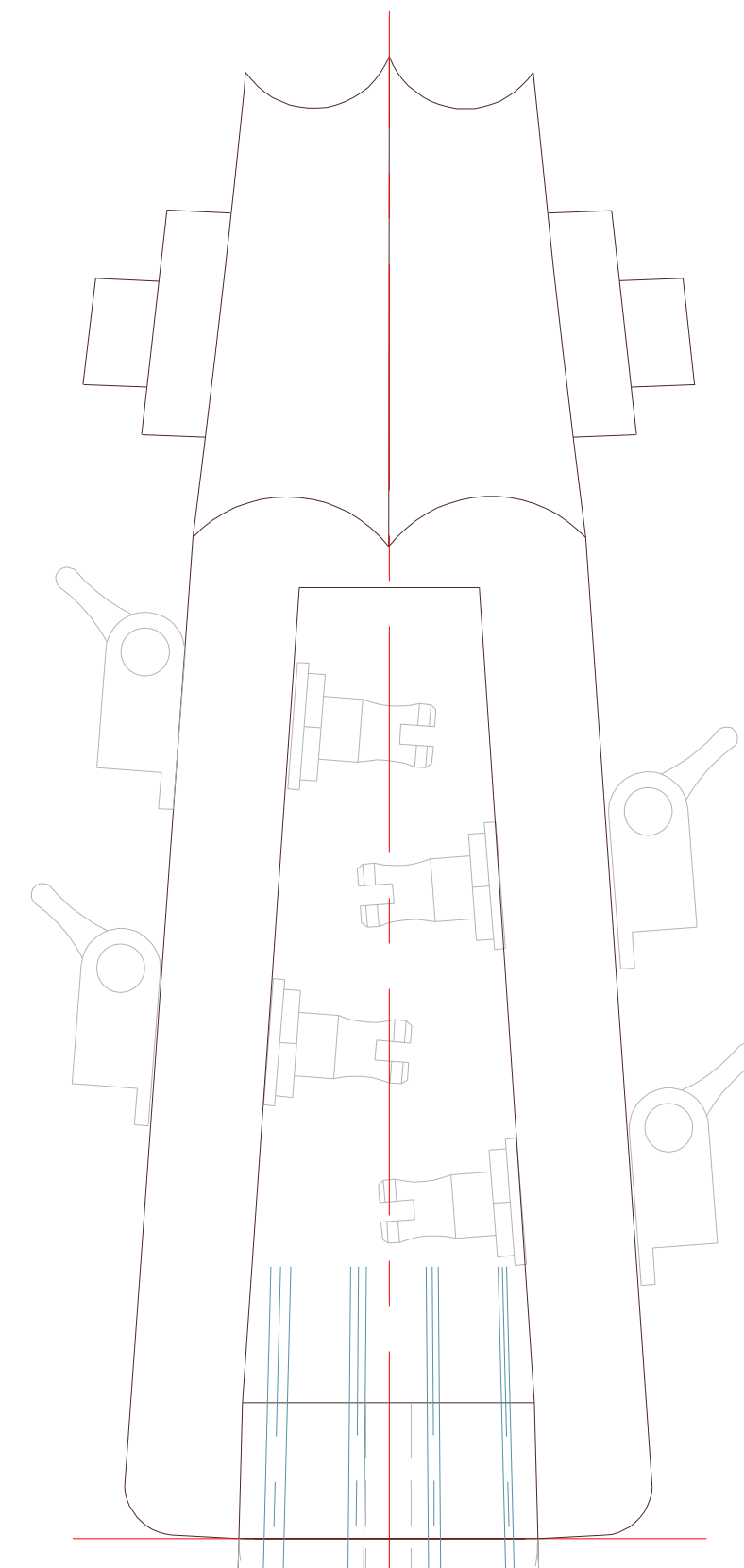
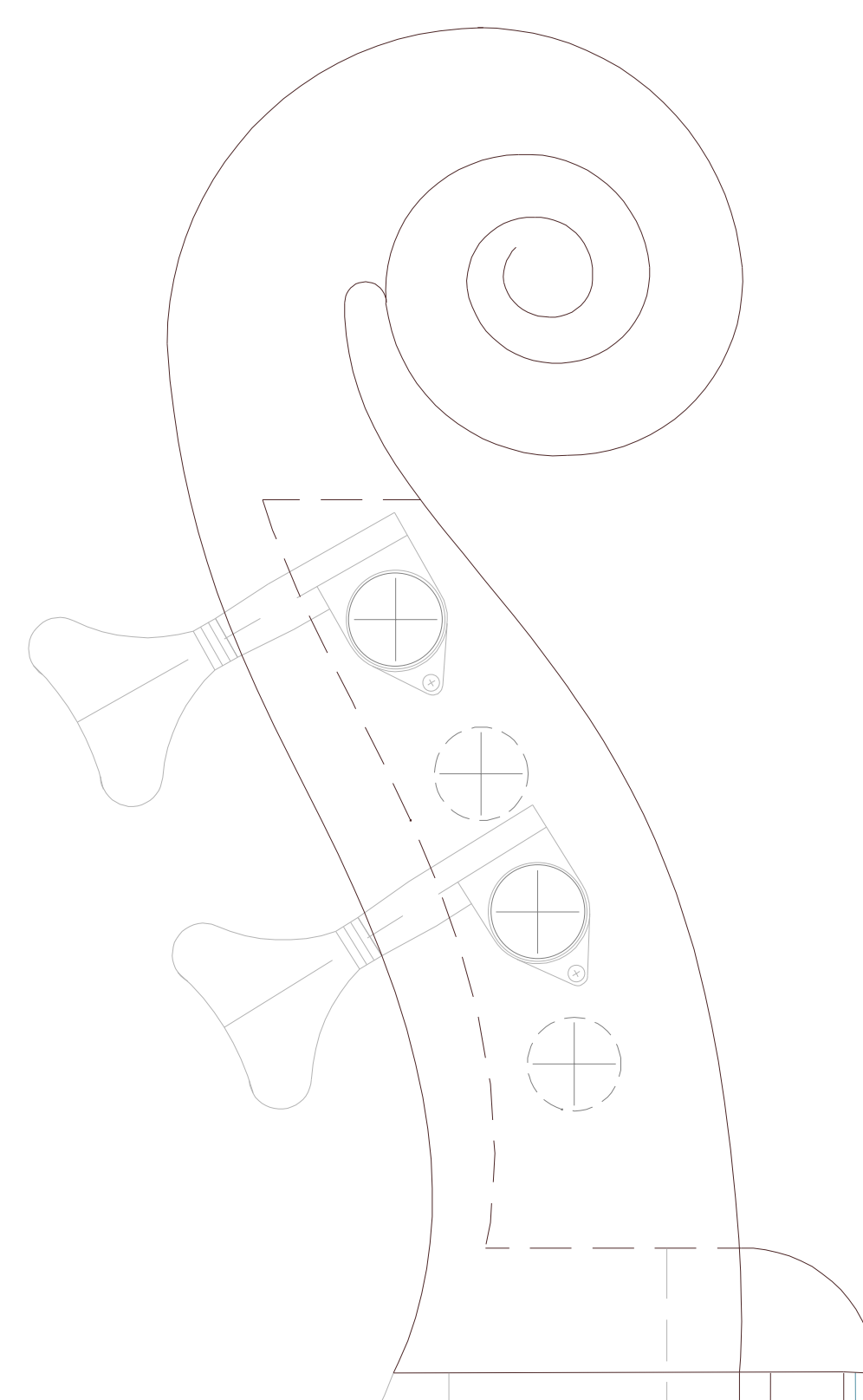
Scale: 1:1 Sheet 1 of 1

Copyright (c) 2005 by R.M. Mottola All Rights Reserved

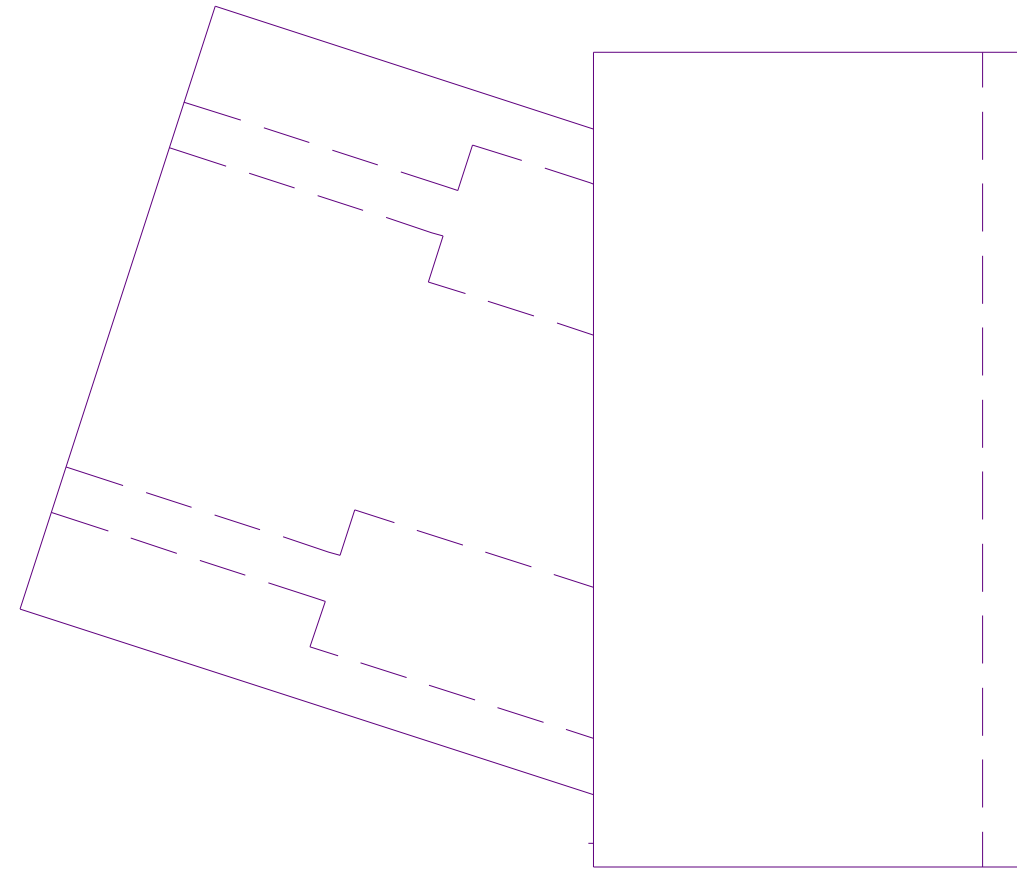
This plan is made available for non-commercial use only and may not be redistributed. If this plan is obtained from any source other than LutatioMottola.com it has been copied in violation of copyright.

NOTES:

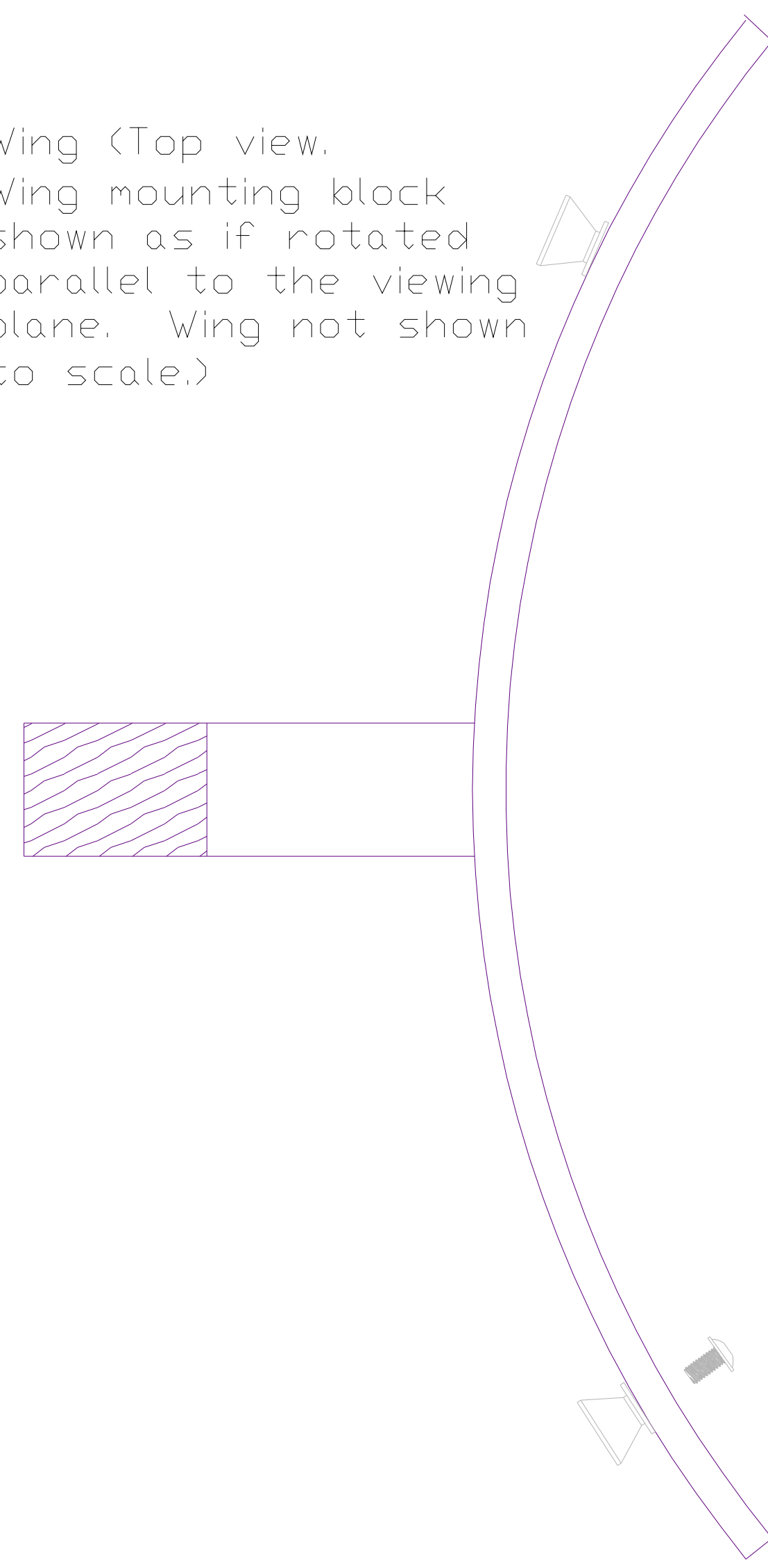
1. Front view of wing shows dimensions before it is bent.
2. Dimensions of wing in top and end views are approximate.
3. Wing attaches to back of body with 1/4"-20 x 50mm connector bolts.
4. Strap buttons on wing are threaded 10-32 and attached with 10-32 machine screws.
5. Fingerboard radius: ~3"
6. Wire channel between control cavities must be drilled through core before body sides are glued on.



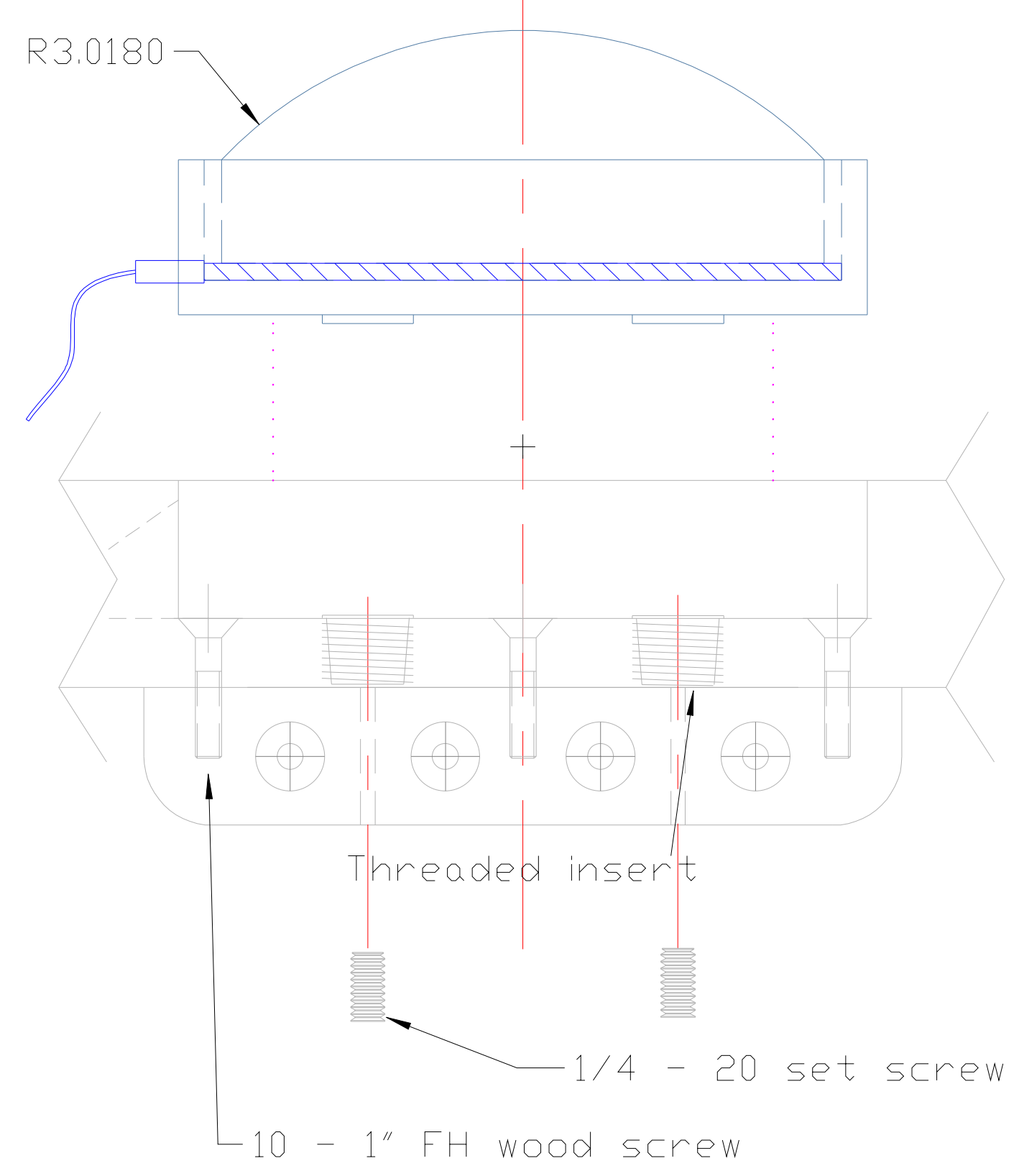
Wing (End view. Wing mounting block shown as if rotated parallel to the viewing plane. Wing not shown to scale.)



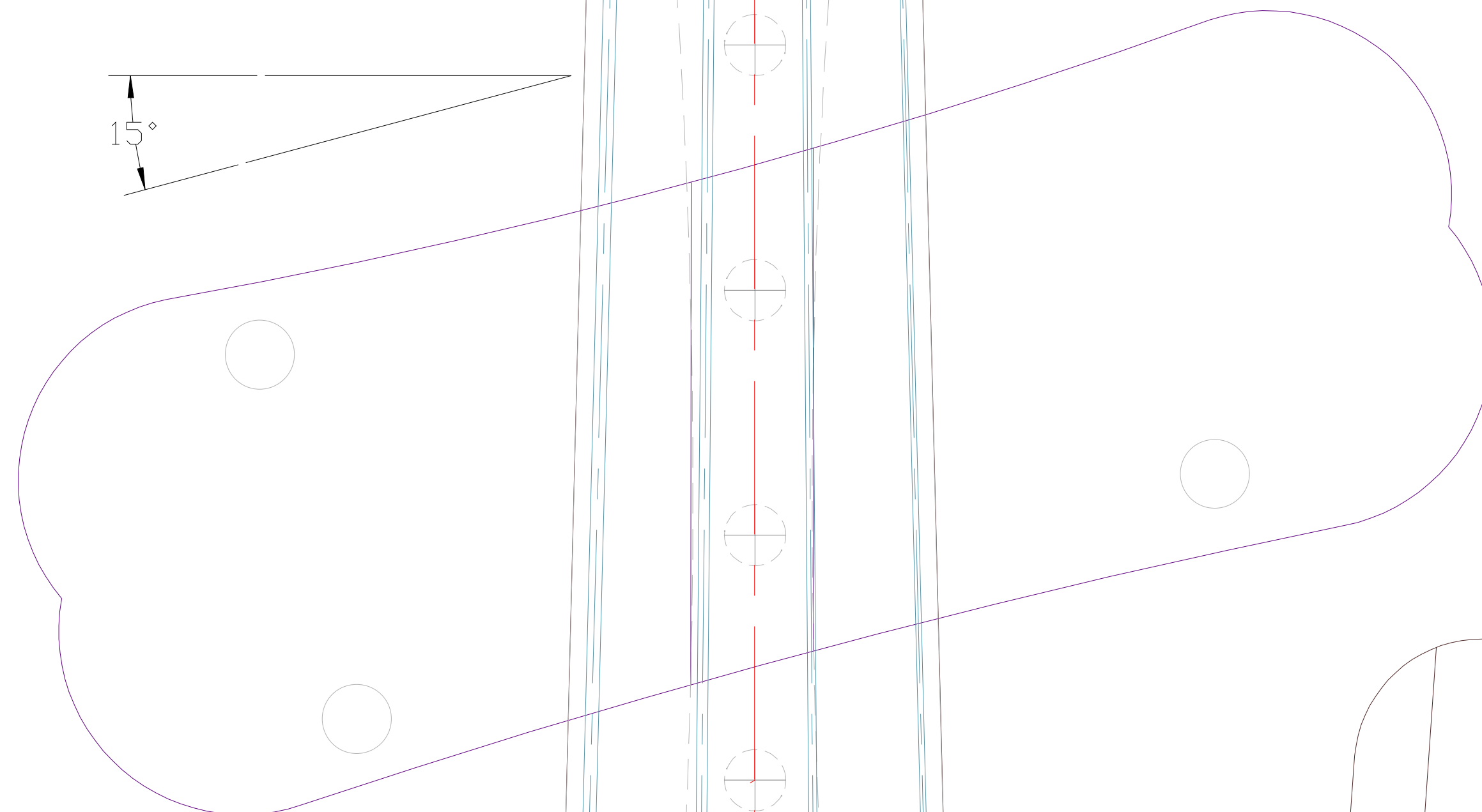
Wing (Top view. Wing mounting block shown as if rotated parallel to the viewing plane. Wing not shown to scale.)



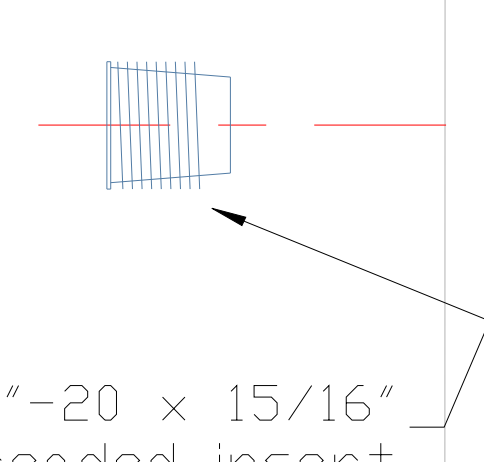
Bridge Detail (viewed from butt end)



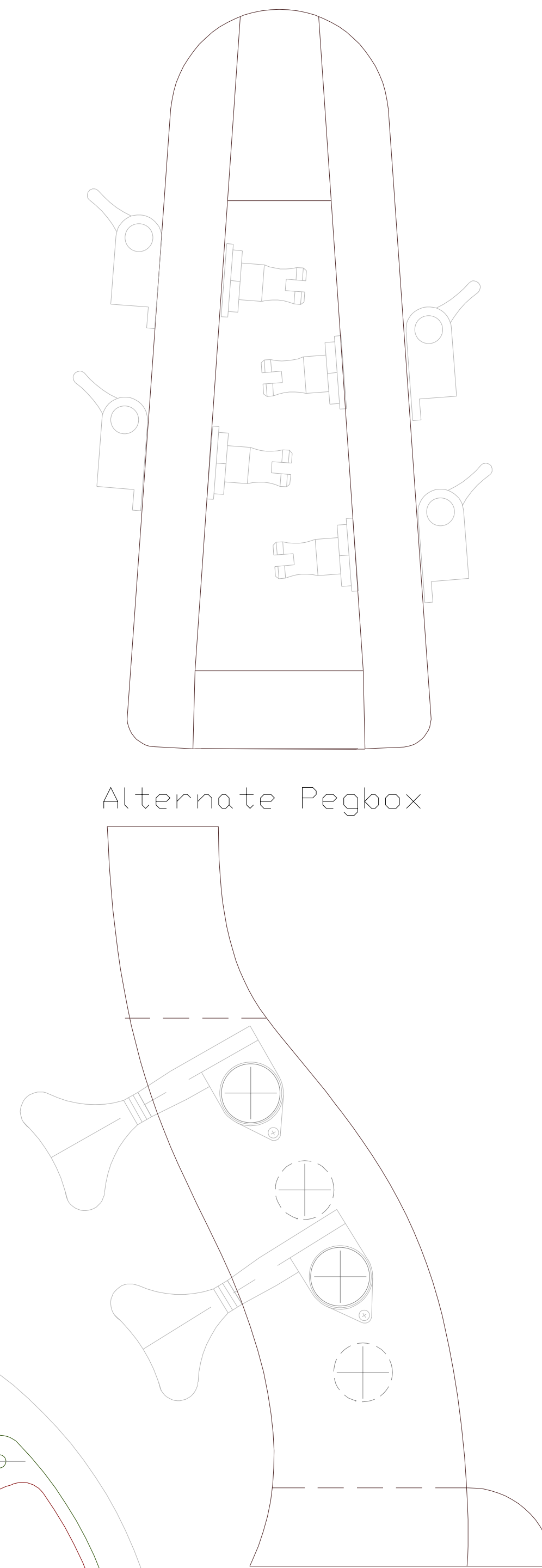
15°



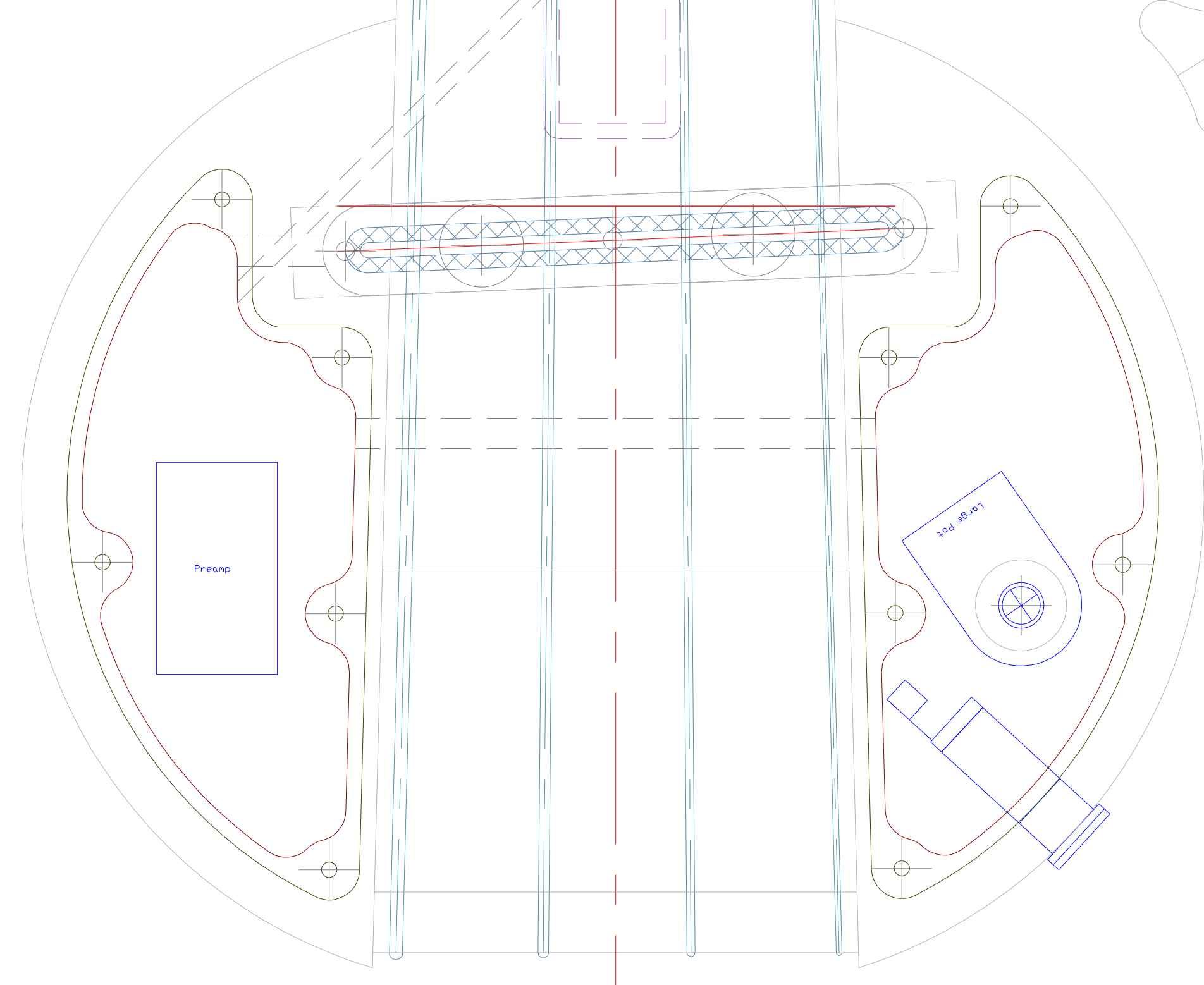
1/4"-20 x 15/16" threaded insert



Alternate Pegbox



17°



1"